

LED Tube Light, green (rear cable inlet)

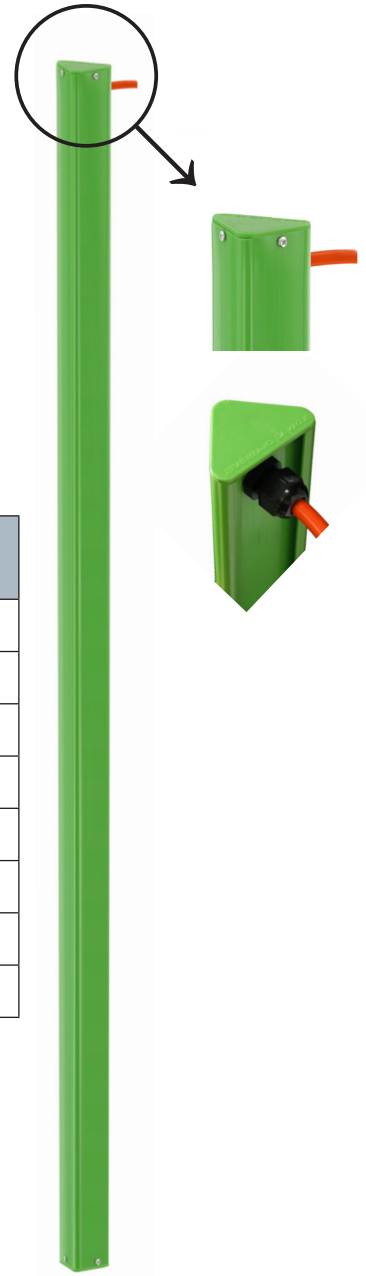
Material

- Profile: Makrolon DP1-1853
UL 94V-0 (halogen free)
Colour RAL 6018
- Wire: Reflex 2 x 1.5mm², Ø8mm

Certificates

- EMC compatible (EN 61000-6-2:2001 / EN 61547:1995)
- IP66 certified (IEC 60529:01)
- Impact Strength IK09 (EN 60079-0:2004)
- Operating Temperature -30°C ~+85°C

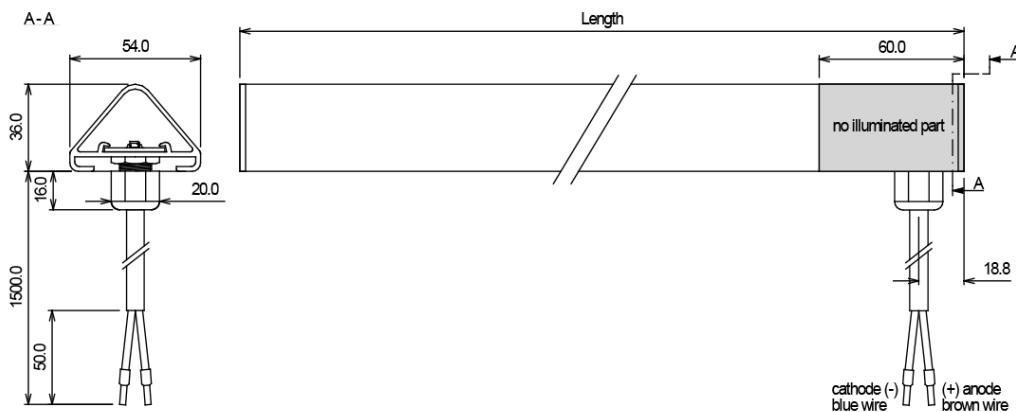
Part-Number	Old Part-No.	Length mm	Voltage V	Current mA	Power W
SLO-C101-00016	200 05 600-0150	440	24	180	4.32
SLO-C101-00005	200 05 601-0150	840	24	380	9.12
SLO-C101-00006	200 05 602-0150	1240	24	580	19.92
SLO-C101-00008	200 05 603-0150	1640	24	780	18.72
SLO-C101-00009	200 05 604-0150	2040	24	980	23.52
SLO-C101-00013	200 05 605-0150	2440	24	1180	28.32
SLO-C101-00014	200 05 606-0150	2840	24	1380	33.12
SLO-C101-00015	200 05 607-0150	3240	24	1580	37.92



Other lengths?

- other cable length on request
- max. profile length 3240mm

Dimensions



1. All dimensions are in millimetres
2. Tolerance is ±0.25mm unless otherwise specified
3. Specifications are subject to change without notice

LED Tube Light, green (lateral cable inlet)

Material

- Profile: Makrolon DP1-1853
UL 94V-0 (halogen free)
Colour RAL 6018
- Wire: Roflex 2 x 1.5mm², Ø8mm

Certificates

- EMC compatible (EN 61000-6-2:2001 / EN 61547:1995)
- IP66 certified (IEC 60529:01)
- Impact Strength IK09 (EN 60079-0:2004)
- Operating Temperature -30°C ~+85°C

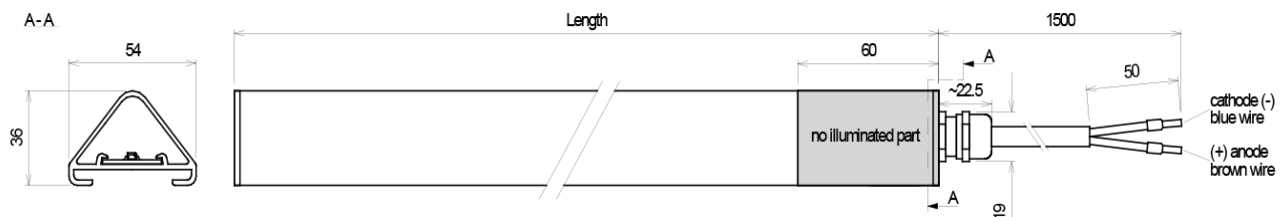
Part-Number	Old Part-No.	Length mm	Voltage V	Current mA	Power W
SLO-C101-00017	200 05 700-0150	440	24	180	4.32
SLO-C101-00018	200 05 701-0150	840	24	380	9.12
SLO-C101-00019	200 05 702-0150	1240	24	580	19.92
SLO-C101-00020	200 05 703-0150	1640	24	780	18.72
SLO-C101-00021	200 05 704-0150	2040	24	980	23.52
SLO-C101-00022	200 05 705-0150	2440	24	1180	28.32
SLO-C101-00023	200 05 706-0150	2840	24	1380	33.12
SLO-C101-00024	200 05 707-0150	3240	24	1580	37.92



Other lengths?

- other cable length on request
- max. profile length 3240mm

Dimensions

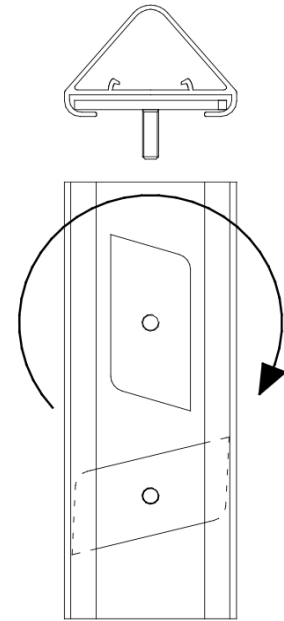
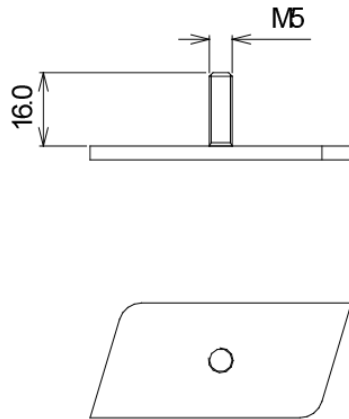


1. All dimensions are in millimetres
2. Tolerance is ±0.25mm unless otherwise specified
3. Specifications are subject to change without notice

Profile-Fixation

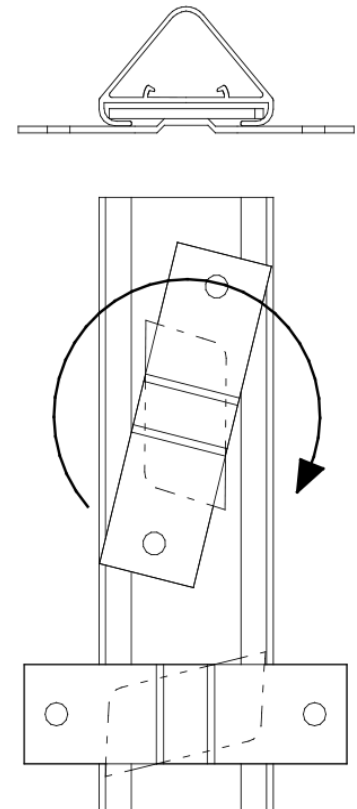
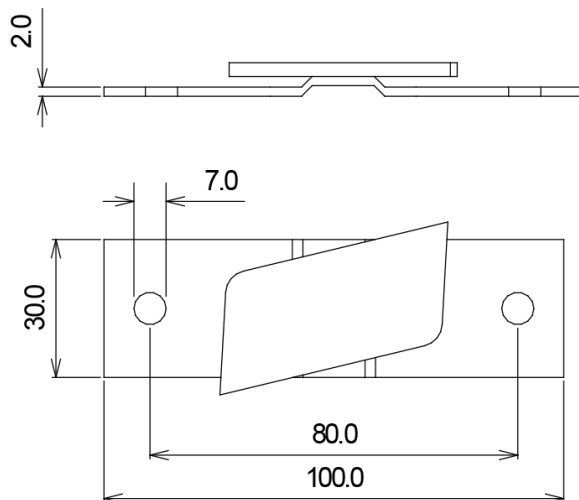
Part-Number: SLO-4300-00003 **Old Part-No.:** 200 05 110

Material: Steel V4A 1.4301 (Stainless steel)



Part-Number: SLO-4300-00002 **Old Part-No.:** 200 05 111

Material: Steel V4A 1.4301 (Stainless steel)



1. All dimensions are in millimetres
2. Tolerance is ± 0.25 mm unless otherwise specified
3. Specifications are subject to change without notice