

## Power LED

1W

- high luminosity
- high quality or professional application
- reflow soldering
- RoHS compliant



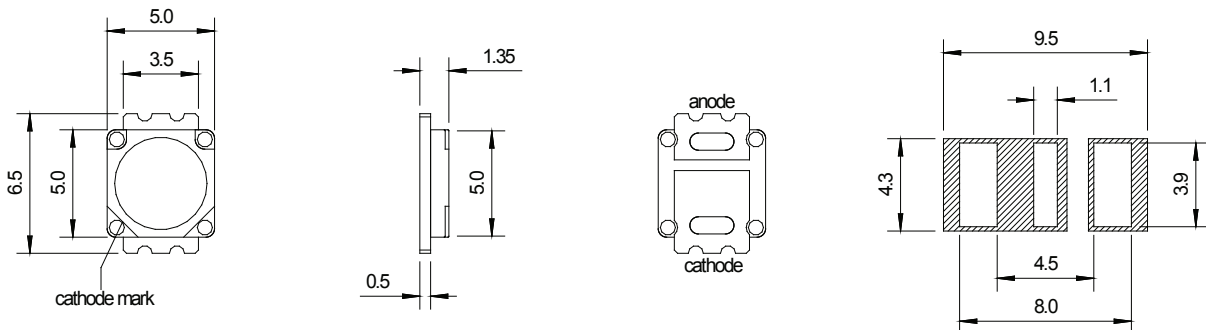
Part Number	Colour Temp. (°K)	Intensity (mcd)			Angle (deg)	Voltage (V)		Lens Colour
		min	typ	max		typ	max	
PL1-NL11-00	☉ 3000	70	95	100	120°	3.5	4.0	yellow diffused
PL1-NL11-01	☉ 2700	70	95	100	120°	3.5	4.0	yellow diffused
PL1-WL11-00	☾ 4500-5500	100	110	120	120°	3.5	4.0	yellow diffused

**Electro-Optical-Characteristics Ta=25°C, Forward Current: IF Typical = 350mA,**  
1/10 Duty Cycle, 10ms Pulse Width: up to 600mA, depending on colour.  
Storage Temp. -40 ~+100 (°C) Operating Temp. -40 ~+85 (°C)

Detailed data sheets are available on request

Packaging: 1400pcs/reel

### Dimensions (mm)



Sloan\_04\_GK\_LED\_14A

1. All dimensions are in millimetres
2. Tolerance is  $\pm 0.25$ mm unless otherwise specified
2. Specifications are subject to change without notice