



Serie 952, Crosslight

LED indicator

LED Signalleuchte

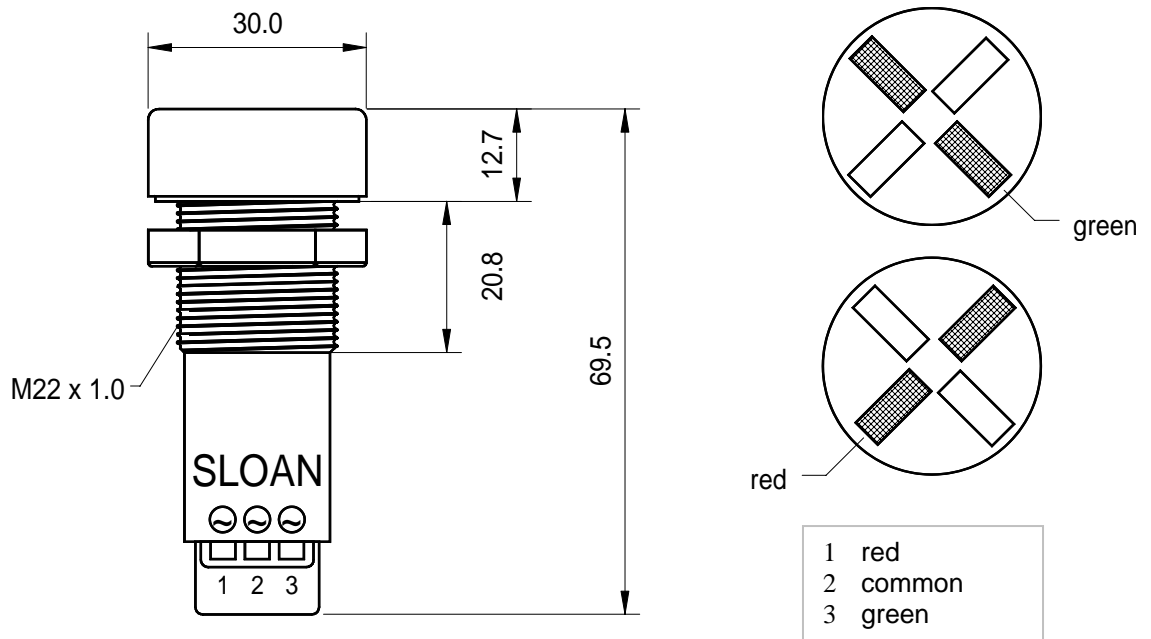
Lampe de signalisation LED

All specification according to information from our manufacturers, without additional guarantee on our part. Further types on request.

| Part-Number | Lens | Colour | Protection | Rated Voltage | Forward Current | Operating Temperature | Panel Thickness | Dimensions of Wires |
|-------------|------------|-------------|------------|---------------|-----------------|-----------------------|-----------------|---------------------|
| | PC (LEXAN) | | | V | mA | °C | mm | mm2 |
| 952RG0D | smoked | red / green | IP65 | 24 AC/DC | 20 | -25 ~ + 60 | 0.5 – 12.0 | 0.5 – 1.5 |

Mounting Hole: Ø 22mm
Lifetime: 100.000 hrs
Material: Thermoplast ABS meets UL94V-0/1,6

Dimensions



1. All dimensions are in millimetres.
 2. Tolerance is ±0.25mm unless otherwise specified.
 3. Specifications are subject to change without notice.