

Illumination for Emergency Exits in Tunnel

Application: Tunnel
Industry
Architectur

Emergency Exit Light
Alarm system
Underground car park

Benefits: Long lifetime
Impact strength IK09
IP66 certified
EMC compatible



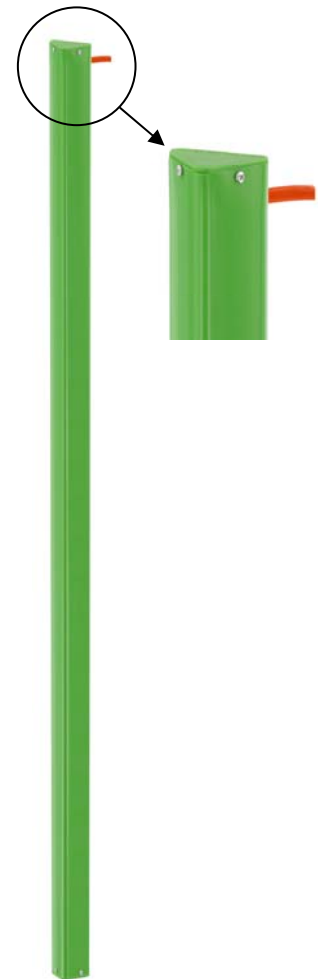
LED Tube Light, green (rear cable inlet)

Material

- Profile: Makrolon DP1-1853
UL 94V-0 (halogen free)
Colour RAL 6018
- Wire: Roflex 2 x 1.5mm², Ø8mm

Certificates

- EMC compatible (EN 61000-6-2:2001 / EN 61547:1995)
- IP66 certified (IEC 60529:01)
- Impact Strength IK09 (EN 60079-0:2004)
- Operating Temperature -30°C ~+85°C

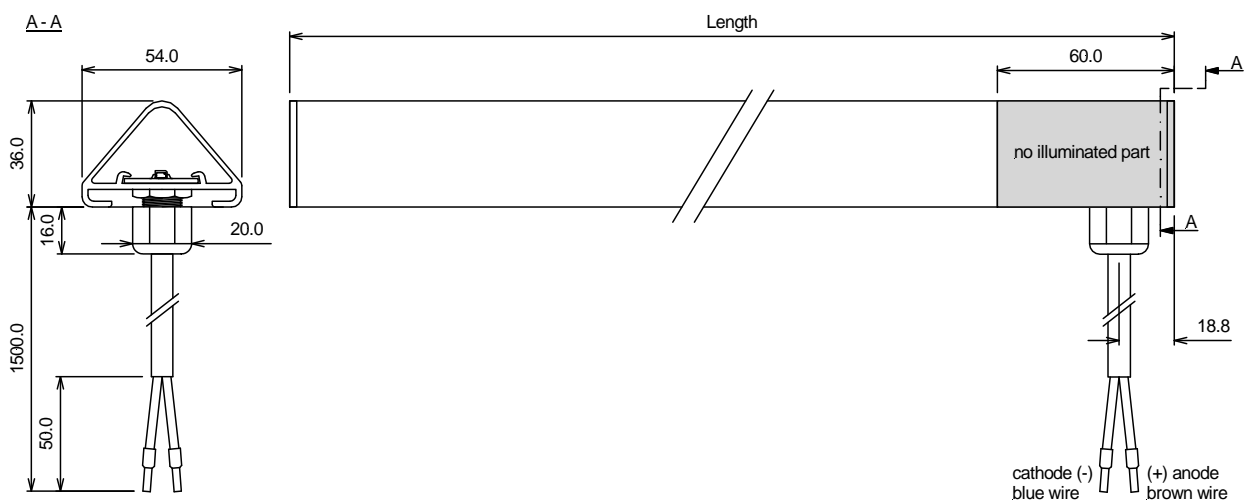


Part-Number	Length mm	Voltage V	Current typ. mA	Power typ. W
200 05 600-0150	440	24	180	4.32
200 05 601-0150	840	24	380	9.12
200 05 602-0150	1240	24	580	13.92
200 05 603-0150	1640	24	780	18.72
200 05 604-0150	2040	24	980	23.52
200 05 605-0150	2440	24	1180	28.32
200 05 606-0150	2840	24	1380	33.12
200 05 607-0150	3240	24	1580	37.92

200 05 6xx-xxxx

- for other cable length
- for other profile length (max. 3240mm)

Dimensions



1. All dimensions are in millimetres
2. Tolerance is ±0.25mm unless otherwise specified
3. Specifications are subject to change without notice

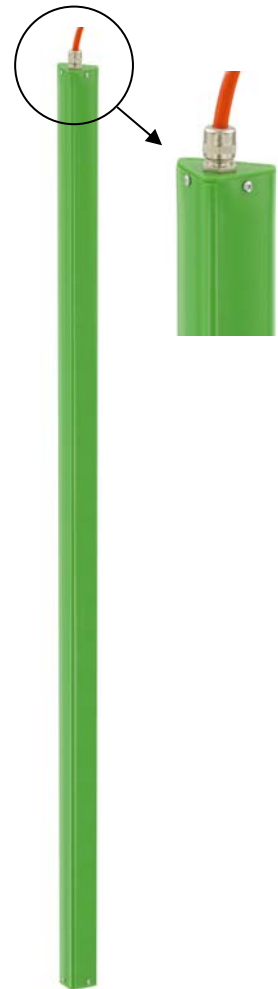
LED Tube Light, green (lateral cable inlet)

Material

- Profile: Makrolon DP1-1853
UL 94V-0 (halogen free)
Colour RAL 6018
- Wire: Roflex 2 x 1.5mm², Ø8mm

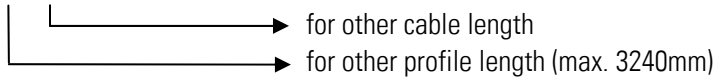
Certificates

- EMC compatible (EN 61000-6-2:2001 / EN 61547:1995)
- IP66 certified (IEC 60529:01)
- Impact Strength IK09 (EN 60079-0:2004)
- Operating Temperature -30°C ~+85°C

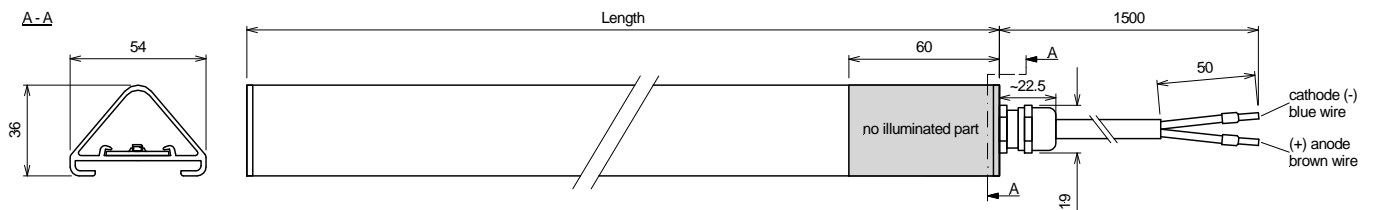


Part-Number	Length mm	Voltage V	Current typ. mA	Power typ. W
200 05 700-0150	440	24	180	4.32
200 05 701-0150	840	24	380	9.12
200 05 702-0150	1240	24	580	13.92
200 05 703-0150	1640	24	780	18.72
200 05 704-0150	2040	24	980	23.52
200 05 705-0150	2440	24	1180	28.32
200 05 706-0150	2840	24	1380	33.12
200 05 707-0150	3240	24	1580	37.92

200 05 7xx-xxxx



Dimensions



1. All dimensions are in millimetres
2. Tolerance is ± 0.25 mm unless otherwise specified
3. Specifications are subject to change without notice

Power LED Flasher, white

Material

- Housing: INOX V4A 1.4571 (Stainless steel)
- Cover: Glas
- Wire: Roflex 2 x 1.5mm², Ø8mm
- Colour: white, typ. 6500°K

Certificates

- EMC compatible (EN 61000-6-2:2001)
(EN 61547:1995)
- IP66 certified (IEC 60529:01)



- only for flashing operation

(no continuous operation)

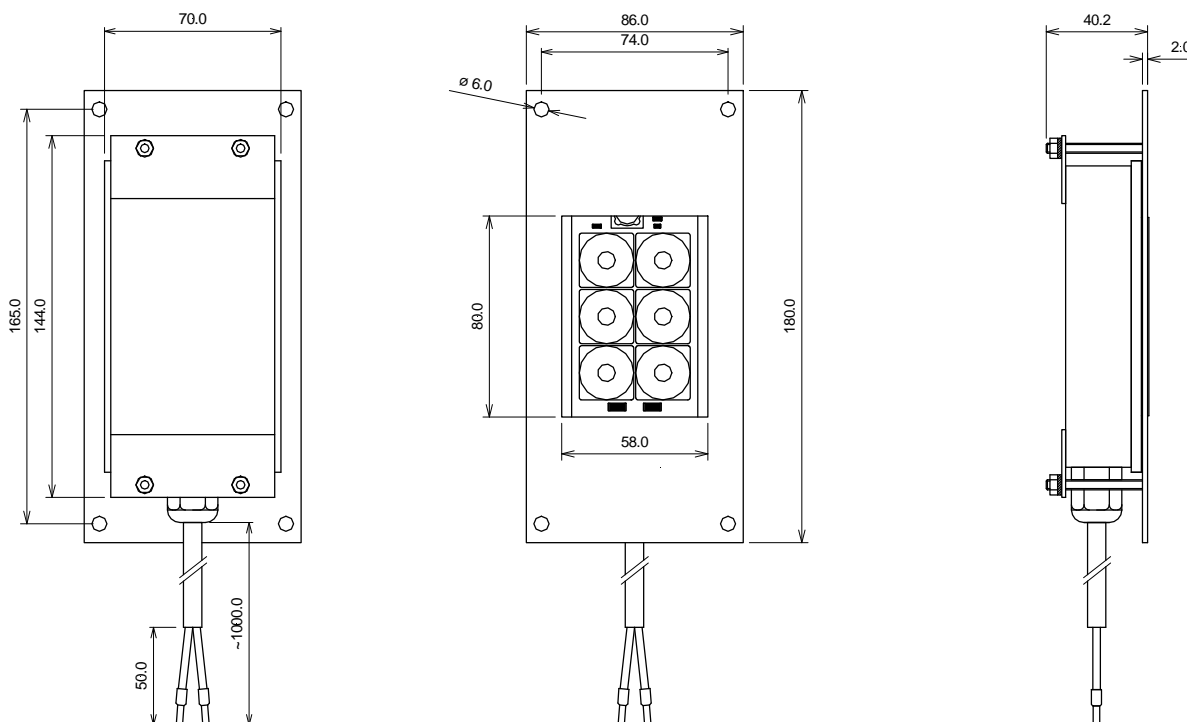
- min. 1Hz (duty cycle max ½)
- Operating Temperature -30°C ~+85°C

Part-Number	Voltage V	Current mA	Power W
200 05 500-0100	24	500	12

200 05 500-xxxx

→ for other cable length

Dimensions



1. All dimensions are in millimetres
2. Tolerance is ±0.25mm unless otherwise specified
3. Specifications are subject to change without notice

LED module only, white

Material

- PC Board: Alu 2mm
- LED: 6 x 1W PowerLED, typ. 6500°K
P/N: PL1-WL11-00
- Lens: 6 x 12degree Lens Ø26mm
P/N: PL-LENS-14

Certificates

- EMC compatible (EN 61000-6-2:2001)
(EN 61547:1995)

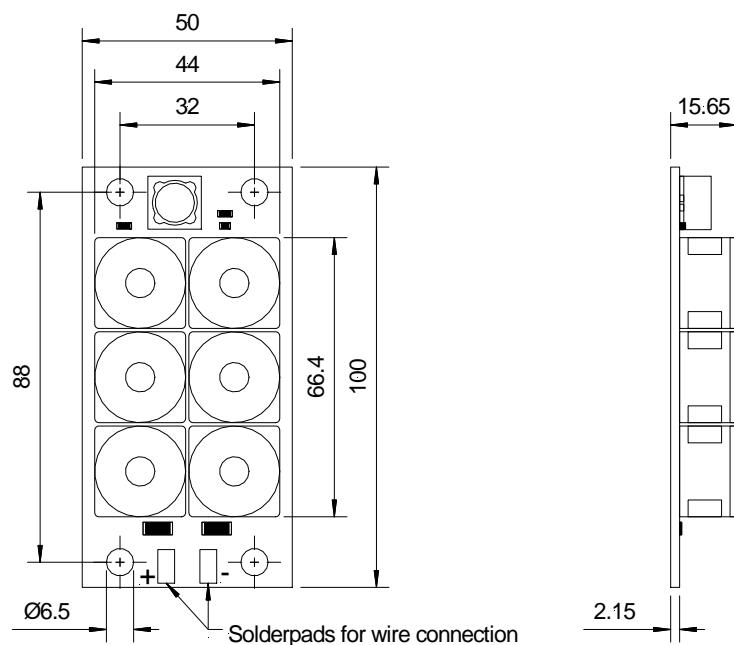


- only for flashing operation (no continuous operation)

- min. 1Hz (duty cycle max ½)
- Operating Temperature -30°C ~+85°C

Part-Number	Voltage V	Current mA	Power W
200 05 501A	24	500	12

Dimensions

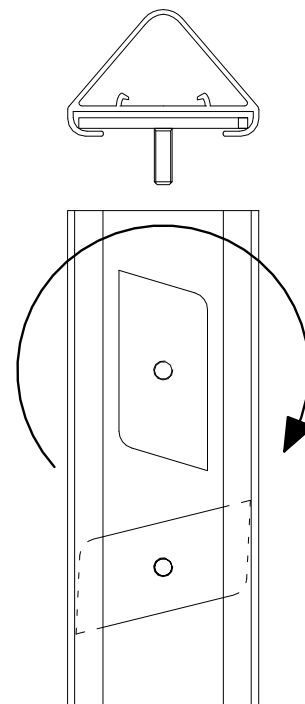
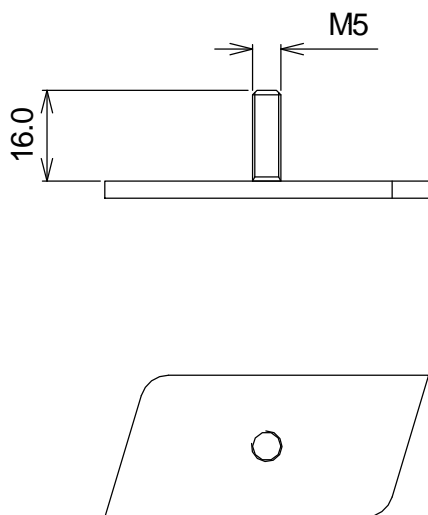


1. All dimensions are in millimetres
2. Tolerance is ±0.25mm unless otherwise specified
3. Specifications are subject to change without notice

Profile-Fixation

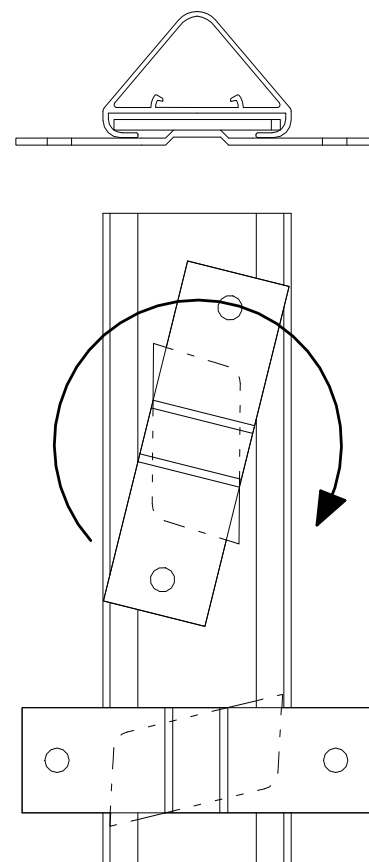
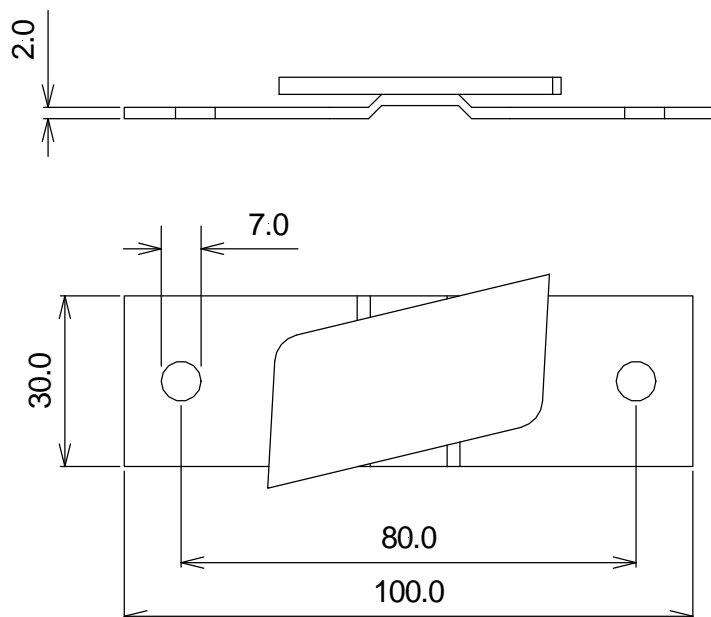
Part-Number: 200 05 110

Material: Steel V4A 1.4301 (Stainless steel)



Part-Number: 200 05 111

Material: Steel V4A 1.4301 (Stainless steel)



1. All dimensions are in millimetres
2. Tolerance is ± 0.25 mm unless otherwise specified
3. Specifications are subject to change without notice



Emergency exit in road tunnel